

Applications:

- Provides an explosionproof disconnect switch assembly for hazardous area electrical systems
- Incorporates Eaton's Crouse-Hinds' high integrity manufacturing standards for reliability and safety in a compact, space-efficient NEMA 4* enclosure

Features and Benefits:

- Can be ordered as enclosure only, allowing for field installation of switch while maintaining product certification
- NEMA 4X breather and drain** provides a moisture control solution in hose-down applications
- Small, compact footprint - less mounting space required
- Large red painted aluminum rotary handle operator mounted on cover assembly provides rugged, reliable performance in the field and allows for the position of the switch to be easily identified from a distance
- Neoprene cover gasket provides NEMA 4 (hose-tight) environmental rating
- Detachable/adjustable mounting feet provide flexible mounting alternatives for ease of installation; no need to replace the entire enclosure if a mounting foot is broken
- Stainless steel hinges provide easy internal access for wiring and maintenance
- Top and bottom conduit entries standard for easy feed of conductors
- (2) 1/2" NPT conduit entries, one on top and one on bottom, for field addition of breather and/or drain or for use with auxiliary contacts; †holes come plugged with Eaton's Crouse-Hinds PLG explosionproof as standard
- Provides lockout/tagout capability which complies with OSHA requirements, allowing for locking in the ON or OFF position for standard maintenance checks
- Complies with NEC Article 312 wire bending requirements for max gauge wire, allowing for easy and safe installation, and reliable operation of product

Certifications and Compliances:

- Class I, Divisions 1 & 2, Groups B, C, D
- Class I, Zones 1 & 2
- Class II, Division 1, Groups E, F, G
- Class III
- NEMA 3, 3R, 4 or 4X*, 7BCD, 9EFG
- UL Standard 1203
- cUL to CSA C22.2 No. 30

Standard Materials:

- Body and Cover—Copper-free Aluminum
- Gasket—Neoprene
- Cover Bolts—Steel, stainless steel*
- Hinges—Stainless Steel
- Mounting Plate Sheet—Aluminum
- Rotary Actuating Handle—Aluminum

Standard Finishes:

- Copper-free Aluminum—Natural
- Steel—Electro-galvanized

Electrical Ratings:

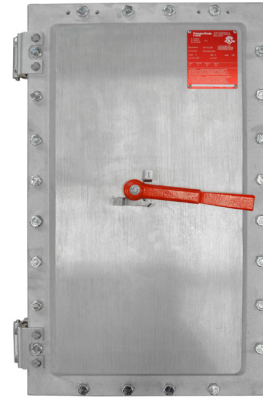
HP Rating at:				
Amps	240VAC	480VAC	600VAC	250VDC
30	10	20	30	5
60	20	40	40	10
100	30	50	50	20
200	75	150	200	15
400	125	250	350	50

Ordering Information:

Switch Rating (Amps)	Enclosure Only	Enclosure with Switch
30	EIDA	EIDA3030
60	EIDA	EIDA3060
100	EIDB	EIDB3100
200	EIDC	EIDC3200
400	EIDD	EIDD3400



EIDA/EIDB



EIDC/EIDD

Options:

Description	Suffix
Auxiliary Contact (single block).....	S784
Auxiliary Contacts (two blocks).....	S785
Breather and Drain	S756V
Epoxy Powder Coat Finish (external only)	S752
Epoxy Powder Coat Finish (internal and external).....	S753
External Ground Lug	S214

*When ordered with S752 or S753 suffix.

**When ordered with S756V suffix.

†For both drains and auxiliary contacts, please contact factory.

EID Disconnect Assembly

Non-fused

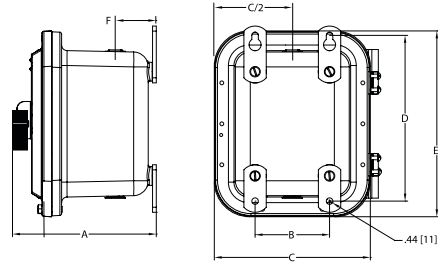
Cl. I, Div. 1 & 2, Groups B, C, D
 Cl. I, Zones 1 & 2
 Cl. II, Div. 1, Groups E, F, G
 Cl. III

UL/cUL Listed
 NEMA 3, 3R, 4, 4X*, 7BCD,
 9EFG

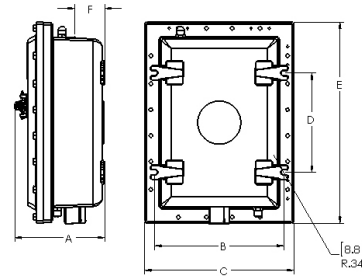
2A

Dimensions and Weights:

Dimension	EIDA	EIDB	EIDC	EIDD
A	9.65" (245mm)	11.75" (298mm)	13.19" (335mm)	13.49" (343mm)
B	5.00" (127mm)	7.00" (178mm)	14.94" (380mm)	14.94" (380mm)
C	10.47" (266mm)	12.53" (318mm)	17.44" (443mm)	17.19" (437mm)
D	11.13" (283mm)	15.13" (384mm)	17.50" (445mm)	29.50" (749mm)
E	12.47" (317mm)	16.53" (420mm)	29.44" (748mm)	41.22" (1047mm)
F	2.75" (70mm)	2.75" (70mm)	5.00" (127mm)	5.00" (127mm)
Weights	36 lbs. (16 kg.)	62 lbs. (28 kg.)	167 lbs. (76 kg.)	258 lbs. (117 kg.)
Conduit Size (Top & Bottom)	1.0"	1.5"	3.0"	(2) 3.0"



EIDA/EIDB



EIDC/EIDD

2A

*When ordered with S752 or S753 suffix.

**When ordered with S756V suffix.

†For both drains and auxiliary contacts, please contact factory.

EID Disconnect Assembly

Fused

Cl. I, Div. 1 & 2, Groups B, C, D
Cl. I, Zones 1 & 2
Cl. II, Div. 1, Groups E, F, G
Cl. III

UL/cUL Listed
NEMA 3, 3R, 4, 4X*,
7BCD, 9EFG

Applications:

- Provides an explosionproof disconnect switch assembly for hazardous area electrical systems
- Incorporates Eaton's Crouse-Hinds' high integrity manufacturing standards for reliability and safety in a compact, space-efficient NEMA 4* enclosure

Features and Benefits:

- NEMA 4X breather and drain** provides a moisture control solution in hose-down applications
- Small, compact footprint - less mounting space required
- Large red painted aluminum rotary handle operator mounted on cover assembly provides rugged, reliable performance in the field and allows for the position of the switch to be easily identified from a distance
- Internal fused switches are rated up to 200kAIC short circuit rating at 600VAC, providing increased protection
- Neoprene cover gasket provides NEMA 4 (hose-tight) environmental rating
- Detachable/adjustable mounting feet provide flexible mounting alternatives for ease of installation; no need to replace the entire enclosure if a mounting foot is broken
- Stainless steel hinges provide easy internal access for wiring and maintenance
- Top and bottom conduit entries standard for easy feed of conductors
- (2) ½" NPT conduit entries, one on top and one on bottom, for field addition of breather and/or drain or for use with auxiliary contacts; †holes come plugged with Eaton's Crouse-Hinds PLG explosionproof as standard
- Provides lockout/tagout capability which complies with OSHA requirements, allowing for locking in the ON or OFF position for standard maintenance checks

Certifications and Compliances:

- Class I, Divisions 1 & 2, Groups B, C, D
- Class I, Zones 1 & 2
- Class II, Division 1, Groups E, F, G
- Class III
- NEMA 3, 3R, 4 or 4X*, 7BCD, 9EFG
- UL Standard 1203
- cUL to CSA C22.2 No. 30

Standard Materials

- Body and Cover—Copper-free aluminum
- Gasket—Neoprene
- Cover Bolts—Steel, stainless steel*
- Hinges—Stainless Steel
- Mounting Plate Sheet—Aluminum
- Rotary Actuating Handle—Aluminum

Standard Finishes:

- Copper-free Aluminum—Natural
- Steel—Electrogalvanized

Electrical Ratings:

HP Rating at:				
Amps	240VAC	480VAC	600VAC	250VDC
30	-	15	20	5
60	-	30	50	10
100	-	60	75	20
200	60	125	150	40
400	125	250	350	50

Ordering Information:

Switch Rating (Amps)	Enclosure Only	Enclosure with Switch
30	EIDAF3	EIDAF3030
60	EIDA6	EIDAF3060
100	EIDBF	EIDBF3100
200	EIDCF	EIDCF3200
400	EIDDF	EIDDF3400



Options:

Description	Suffix
Auxiliary Contact (single block).....	S784
Auxiliary Contacts (two blocks).....	S785
Breather and Drain.....	S756V
Epoxy Powder Coat Finish (external only).....	S752
Epoxy Powder Coat Finish (internal and external).....	S753
External Ground Lug.....	S214

*When ordered with S752 or S753 suffix.

**When ordered with S756V suffix.

†For both drains and auxiliary contacts, please contact factory.

EID Disconnect Assembly

Fused

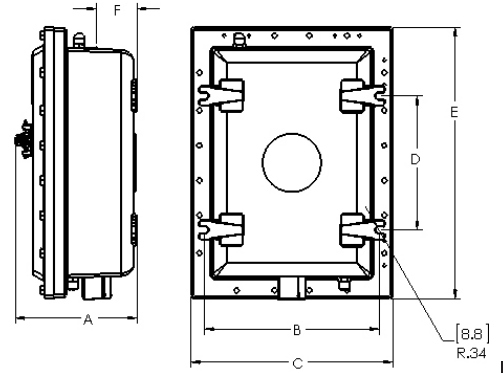
Cl. I, Div. 1 & 2, Groups B, C, D
 Cl. I, Zones 1 & 2
 Cl. II, Div. 1, Groups E, F, G
 Cl. III

UL/cUL Listed
 NEMA 3, 3R, 4, 4X*, 7BCD,
 9EFG

2A

Dimensions and Weights:

Dimension	EIDAF3	EIDAF6	EIDBF	EIDCF	EIDDF
A	10.02" (255mm)	9.90" (251mm)	10.05" (255mm)	13.19" (335mm)	13.49" (343mm)
B	7.00" (178mm)	7.00" (178mm)	14.94" (380mm)	14.94" (380mm)	14.94" (380mm)
C	12.67" (322mm)	12.53" (318mm)	17.31" (440mm)	17.44" (443mm)	17.19" (437mm)
D	13.13" (333mm)	15.13" (384mm)	11.50" (292mm)	17.50" (445mm)	29.50" (749mm)
E	14.67" (373mm)	16.53" (420mm)	23.31" (592mm)	29.44" (748mm)	41.22" (1047mm)
F	3.50" (89mm)	3.50" (89mm)	3.50" (89mm)	5.00" (127mm)	5.00" (127mm)
Weights	47 lbs. (21 kg.)	51 lbs. (23 kg.)	108 lbs. (49 kg.)	180 lbs. (81 kg.)	271 lbs. (123 kg.)
Conduit Size (Top & Bottom)	1.5"	2.0"	2.5"	3.0"	(2) 3.0"



*When ordered with S752 or S753 suffix.